



HIGH RISE BUILDING FIRE SAFETY

People living in high rise buildings need to think ahead and be prepared in the event of a fire. If you live in a high-rise building, It is important to know the fire safety features in your building, to know what to do, and how to safely evacuate in the event of a fire.

Be prepared

- Familiarise yourself with your building's evacuation plan; it will show you the way out and where to assemble safely
- Learn and practice your building's evacuation plan with those who live with you
- Learn to recognise the sound of your building's fire alarm and understand how the building's fire safety systems work
- Replace your smoke alarm every 10 years. FRV recommends photoelectric smoke alarms with a 10-year lithium battery
- Test your smoke alarm monthly by pressing the test button and gently dust around the cover of your smoke alarm yearly

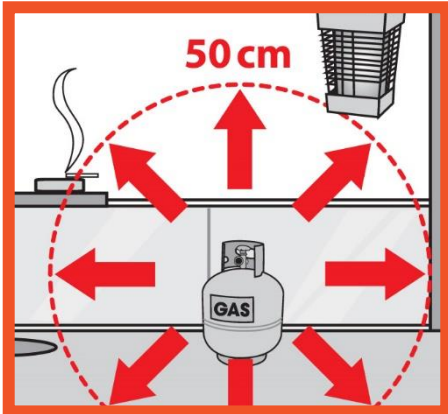
What to do in case of a fire

- When alerted to a fire by the building's fire alarm, respond immediately and alert other people you live with
- If smoke is present, get down low and stay out of the smoke as you exit the building
- If it is safe, close doors behind you to slow the spread of fire and smoke
- Alert other people on your way out
- Do not use lifts. Follow the Exit signs and use fire isolated stairs. Close the fire doors behind you to keep smoke and heat out of the stairwell
- As per your building's evacuation plan, once you are outside, go to the assembly area
- Once you are safely at your assembly area, call 000 (triple zero) and ask for FIRE
- Do not re-enter the building until the all clear is given by the fire services
- If you are unable to safely escape, stay inside your apartment and seal the doors to stop smoke from getting inside. Call 000 (triple zero) and ask for evacuation assistance

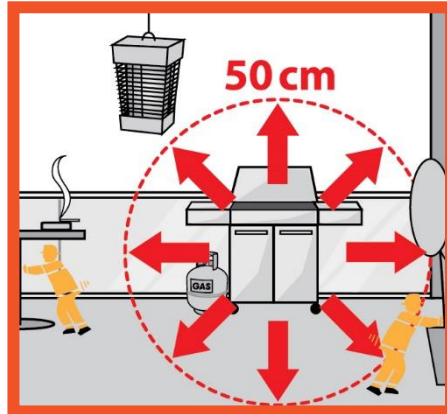
FIRE SAFETY ON BALCONIES

Important safety advice from Fire Rescue Victoria (FRV) to help reduce the risk of fires starting and spreading from balconies to exterior walls and adjoining apartments.

Please take the following actions immediately to ensure your safety and prevent property damage.



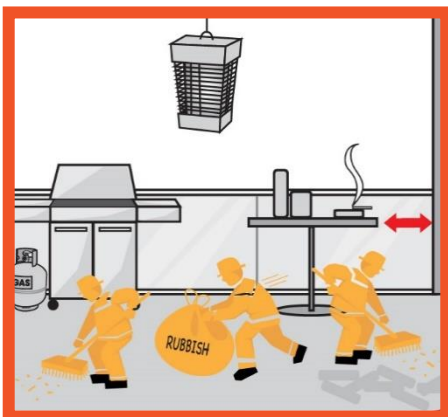
1. Always store gas bottles outside, upright and away from sources of heat.



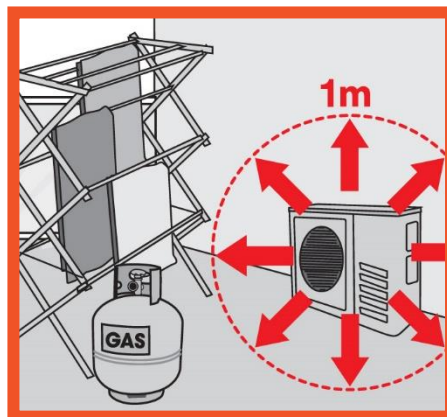
2. When using a barbecue maintain a safe distance of 50 cm from exterior walls, anything else that could burn, as well as any electrical ignition sources.



3. Smokers should use heavy, high-sided ashtrays (made of glass, ceramic or metal) to prevent them tipping over. Always fully extinguish cigarettes.



4. Remove rubbish, clutter and flammable items from balconies and keep furniture away from exterior walls.



5. Keep goods, materials and clothes a safe distance of 1 metre clear of air conditioner units.



6. Keep a dry powder fire extinguisher easily accessible. Use only in case of a small fire and if you feel physically and mentally able.

For further information on fire safety, visit www.frv.vic.gov.au.

For further information on gas safety, visit the Energy Safe Victoria website at: www.esv.vic.gov.au

For Translating and Interpreting Service, contact 13 14 50 

In case of a fire, call 000 (triple zero)